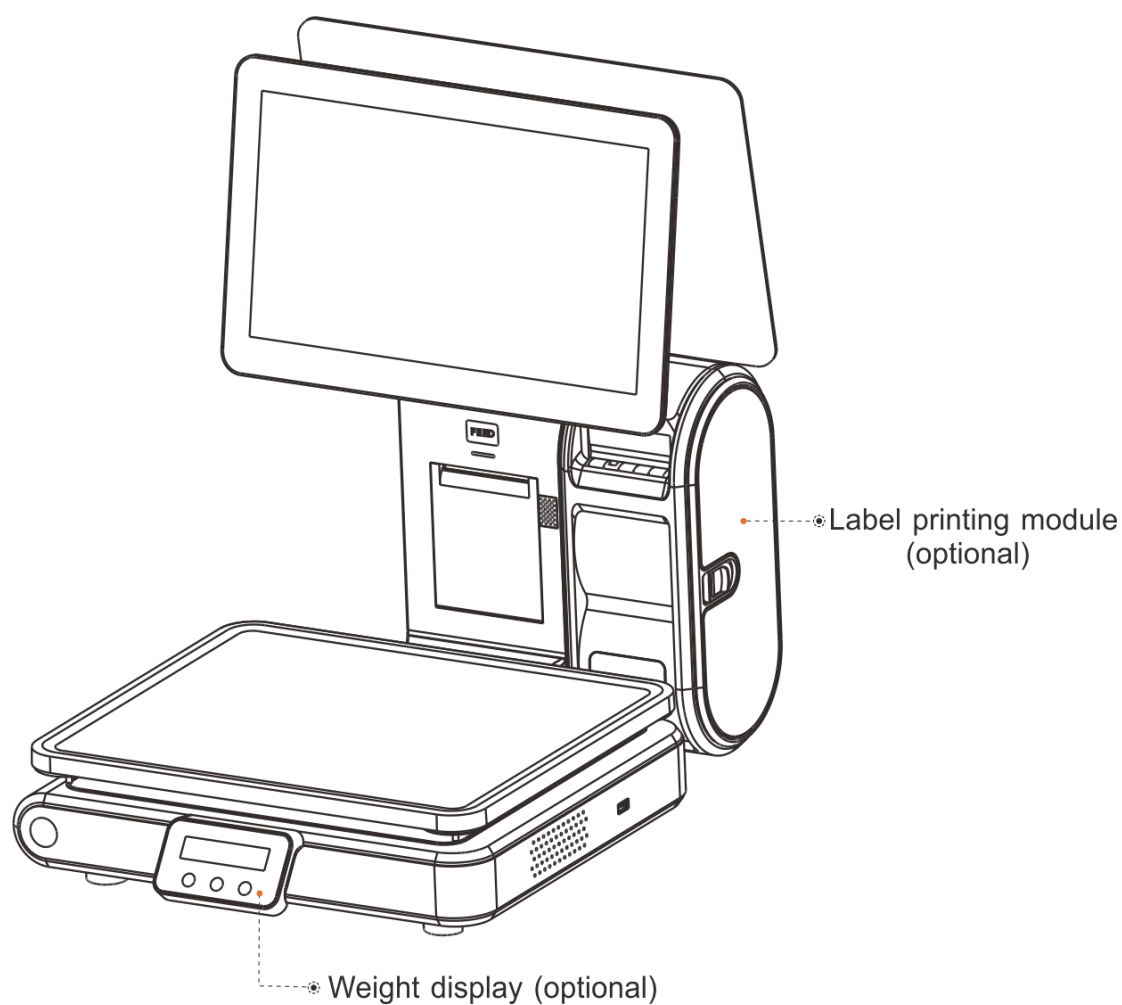


AURORA Y1 PC SCALE





Contents

Introduction.....	2
1. Specification of PC scale register.....	3
2. Standard configuration of PC scale register.....	4
3. PC scale installation steps.....	4
3.1 Assembly step.....	4
3.2 The installation of the thermal receipt paper.....	5
4. Overall Appearance.....	6
4.1 Front view.....	6
4.2 Rear view.....	6
5. Common easy-to-use operations.....	7
5.1 Switch on and off.....	7
5.2 Communication interface.....	7
6. Troubleshooting of PC scale register.....	7
6.1 Crash or fail to start.....	7
6.2 The main display screen or customer display screen does not display or the display screen is blurred.....	8
6.3 The touch screen cannot be used or is not sensitive.....	8
6.4 Unable to print.....	8
6.5 Unable to weigh properly (please contact the After-sales Service).....	8
7. Appendix Comparison Table of Gravitational Acceleration Corrected Value.....	9



Introduction

Thank you for choosing our PC Scale. In order to operate AURORA Y1 PC Scale correctly, User manual is detailed in function and operation method of AURORA Y1 PC Scale, which help user with doubt quickly when come up against mechanical fault .

Rongta research, develop, produce and sale the PC Scale independently, which is high-performance PC Scale.

AURORA Y1 PC Scale is the best choice for user in label printing business line with fashion appearance, power function and high durable, which make AURORA Y1 PC scale more popular in store ,fresh food supermarket ,farmers market and so on.

Note : this product information are subject to change without prior notice.

This information is for reference only. In addition to China's existing laws and regulations, the company does not undertake any due to the direct or indirect losses caused by use of this information.

The company reserves the final interpretation.

1. Specification of PC scale register

- The Weighing range and accuracy:

Max weight: 15kg

Min weight: 40g

0kg to 6kg * 0.002kg (e=2g)

6kg to 15kg * 0.005kg (e= 5g)

- The accuracy grade: (III)

- Resolution

Input sensitivity: greater than or equal to 50 μ V/D

zero-point adjustment range: \pm 60MV

temperature coefficient: \pm 0.0012%CTYP

[Zero] \pm (0.2 μ V+0.0008% of Dead Load)/ $^{\circ}$ CTYP

Nonlinearity: 0.01%F.S.

A/D resolution: Max 30000 resolution

Display resolution: 1/3000

A/D conversion rate: 10 times/second

- Regular:

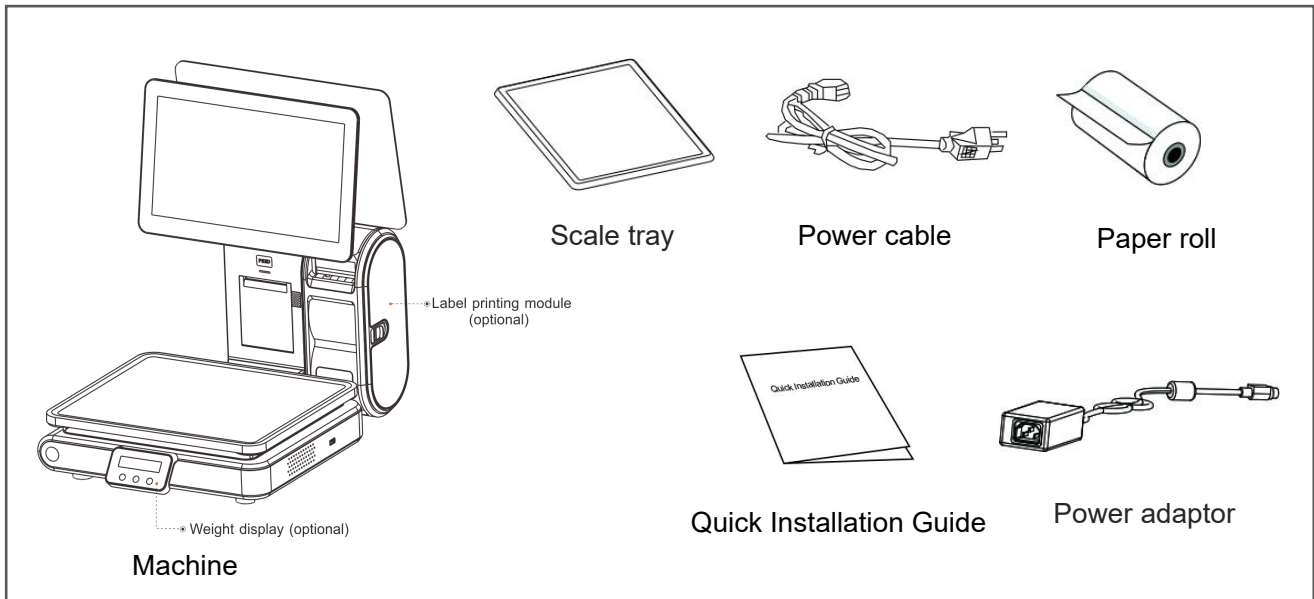
Power supply: AC110~240V, 50/60Hz

Power consumption: Standby 25W, printing 45W

operating temperature: 0 $^{\circ}$ C-40 $^{\circ}$ C

Physical appearance: 372 \times 450 \times 500mm

2. Standard configuration of PC scale register



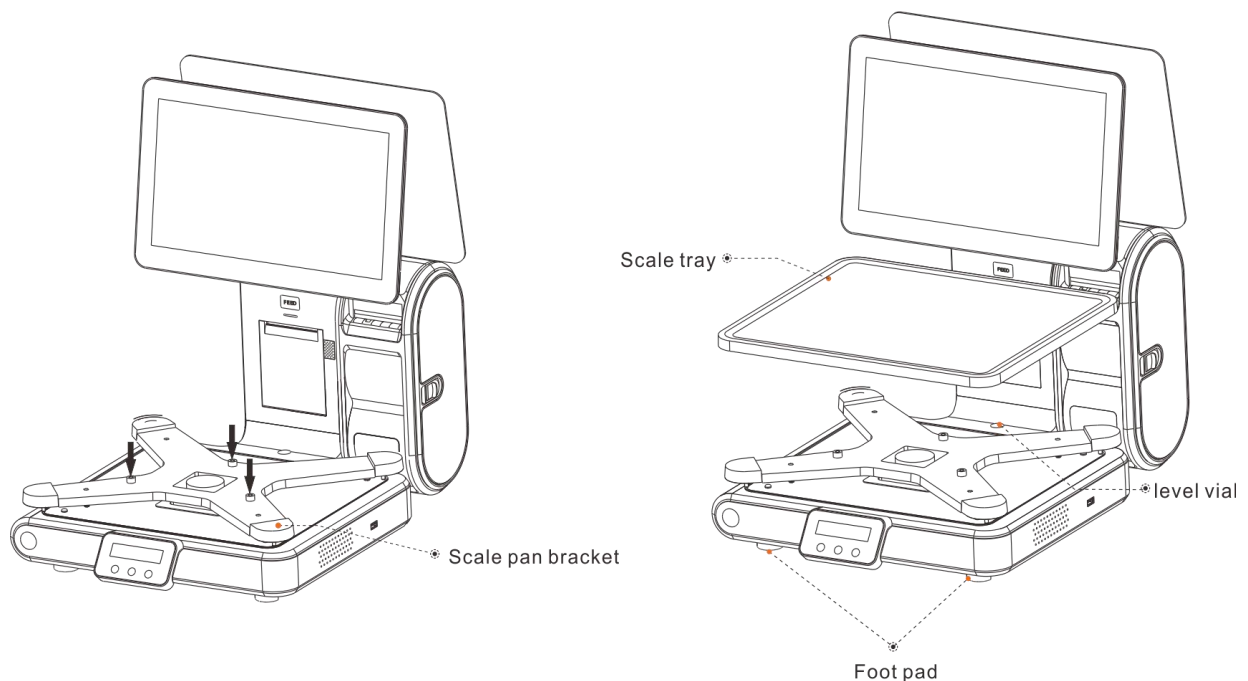
☺ The illustrations and text used in this Manual may differ from the actual product.

3. PC scale installation steps

3.1 Assembly step

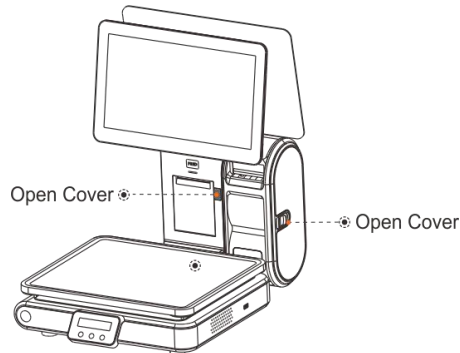
1. Place the scale in a level and stable place and remove the three transport protection screws from the scale pan bracket.

2. Observe the level vial, Adjust the feet to make the level tool inside the little circle, Place the scale pan horizontally on the scale body.

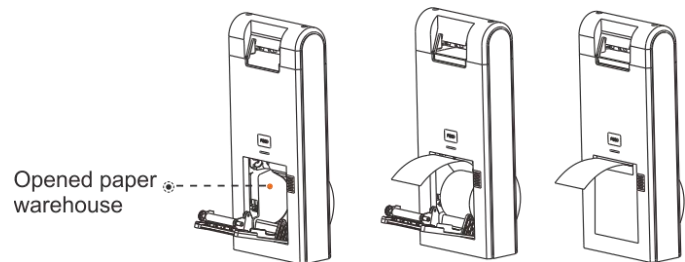


3.2 The installation of the thermal receipt paper

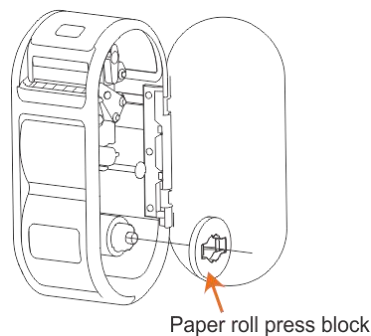
- Pull the Open Cover to open the paper warehouse.



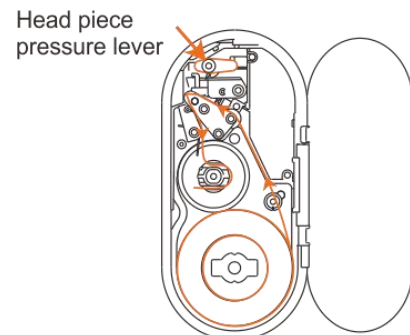
- Put the paper roll into the paper warehouse as shown in the figure
- Close the cover of the printer, press upward gently until the cover closed with a "click" sound.



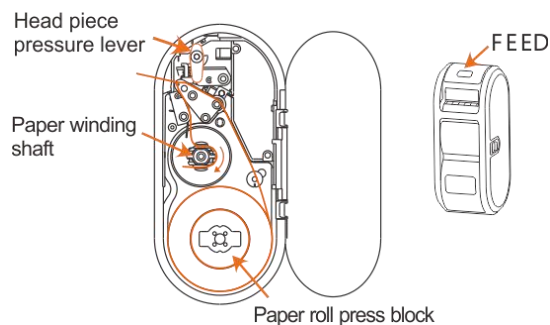
- Open the side cover, remove the paper roll press block



- Unscrew the head piece pressure lever and load paper as shown in the figure.

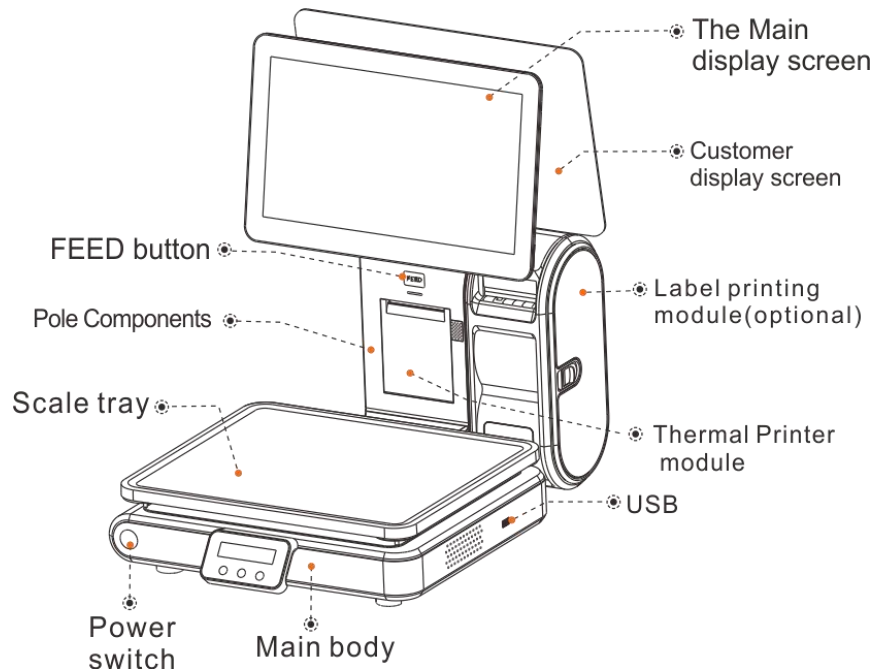


- Close the paper roll press block, tighten the paper winding shaft, screw the head piece pressure lever, close the side cover of printer, then long press FEED button to roll the paper

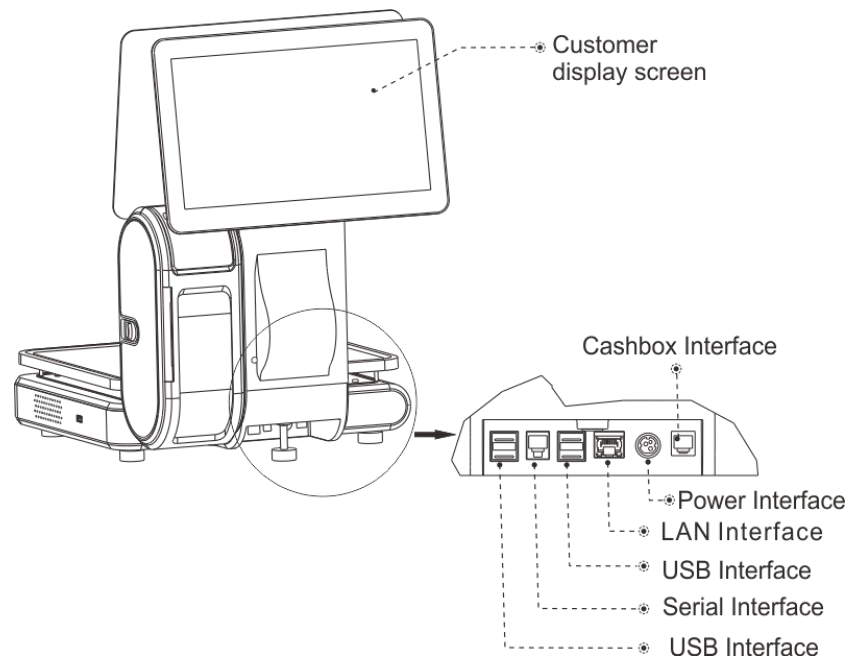


4. Overall Appearance

4.1 Front view



4.2 Rear view

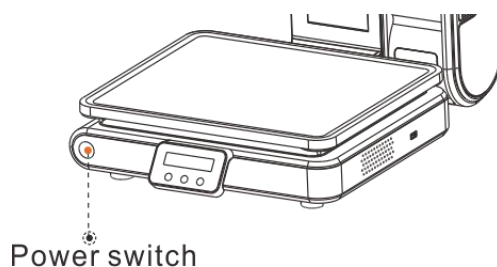


5. Common easy-to-use operations

5.1 Switch on and off

Hard disk switch:

After connecting power supply, long press the black POWER button on the front of PC scale register for 3s until the display is turned on. After entering the normal operation screen, the program will automatically run and perform self-test counting to verify whether the CRC is correct. If verification fails, the scale cannot work normally.



⚠ Attention: Under self-test situation, please do not press any button and make sure nothing is on the scale, otherwise it can't work normally

Soft disk switch on/off:

Touch [Power Off] in the system or Please switch on the power button, then press the button [ON/OFF] for 3 seconds.

5.2 Communication interface

The factory communication interface of the product is fixed at COM2 and cannot be changed through other software. Communicating through other interfaces is also not supported.

6. Troubleshooting of PC scale register

6.1 Crash or fail to start

- Reasons:
- a. Power board error
 - b. Power line and interface error
 - c. Main board error

- Solutions:
- a. Re-plug the power line
 - b. Press the [Power] button for 3 seconds. If the printer indicator is off, it means the power board is abnormal; otherwise, the main board is abnormal

6.2 The main display screen or customer display screen does not display or the display screen is blurred

- Reasons:
- a. Screen line error
 - b. Poor contact of screen line connector
 - c. The display screen is damaged, or the main board is damaged
- Solutions:
- a. Reconnect the screen line aerial connector and confirm that the line sequence is correct
 - b. Re-plug the screen line connector
 - c. If it still fails, it may be caused by screen damage or main board damage

6.3 The touch screen cannot be used or is not sensitive

- Reasons:
- a. Display cable error.
 - b. Display driver error.
- Solutions:
- a. Reconnect the screen line aerial connector and confirm that the line sequence is correct
 - b. Reinstall the correct driver

6.4 Unable to print

- Reasons:
- a. Print wire error.
 - b. The driver is not installed correctly.
 - c. Print board error.
- Solutions:
- a. If the printer indicator is off after turned on, it means the wires are defective.
 - b. Reinstall the correct driver.
 - c. Press and hold FEED button to print the self-test page.

6.5 Unable to weigh properly (please contact the After-sales Service)

- Reasons: The main board or AD board fails, sensor fails, or CRC check fails.
- Solutions : Please contact with us, we will provide you new version AD board program or weighing software.

7. Appendix Comparison Table of Gravitational Acceleration Corrected Value

COUNTRY	CITY	G(m/sec ²)	COUNTRY	CITY	G(m/sec ²)
Greece	Athens	9.800	Scotland	Glasgow	9.816
South	Cape town	9.796	Spain	Madrid	9.800
Netherland	Amsterdam	9.813	Singapore	Singapore	9.781
Norway	Oslo	9.815	Argentina	Buenos Aires	9.797
New	Auckland,NZ	9.799	United	London,Greenw	9.812
New	Wellington,NZ	9.801	Australia	Melbourne	9.800
Taiwan	Taichung	9.789	Australia	Sydney	9.797
Taiwan	Taiwan	9.788	Italy	Milano	9.806
Taiwan	Taipei	9.790	Italy	Rome	9.803
Denmark	Copenhagen	9.815	India	Calcutta	9.788
Germany	Fankfurt	9.810	Japan	Tokyo	9.798
Mexico	Mexico City	9.779	Canada	Ottawa	9.806
U.S.A	Birmingham	9.813	Canada	Vancouver,BC	9.809
U.S.A	Chicago	9.803	Cuba	Havana	9.788
U.S.A	Los Angles	9.796	Kuwait	Kuwait	9.795
U.S.A	New York	9.802	Cyprus	Nicosia	9.797
U.S.A	San Francisco	9.800	Thailand	Bangkok	9.783
U.S.A	Washington,DC	9.784	Portugal	Lisbon	9.801
Belgium	Brussels	9.811	France	Paris	9.809
Brazil	Rio de Janeiro	9.786	Finland	Helsinki	9.819
Sweden	Stockholm	9.818	Philippines	Manila	9.784
Switzerlan	Zurich	9.807			
COUNTRY	CITY	G(m/sec ²)	COUNTRY	CITY	G(m/sec ²)
Greece	Athens	9.800	Scotland	Glasgow	9.816
South	Cape town	9.796	Spain	Madrid	9.800
Netherland	Amsterdam	9.813	Singapore	Singapore	9.781
Norway	Oslo	9.815	Argentina	Buenos Aires	9.797
New	Auckland,NZ	9.799	United	London,Greenw	9.812
New	Wellington,NZ	9.801	Australia	Melbourne	9.800
Taiwan	Taichung	9.789	Australia	Sydney	9.797
Taiwan	Taiwan	9.788	Italy	Milano	9.806
Taiwan	Taipei	9.790	Italy	Rome	9.803
Denmark	Copenhagen	9.815	India	Calcutta	9.788
Germany	Frankfurt	9.810	Japan	Tokyo	9.798
Mexico	Mexico City	9.779	Canada	Ottawa	9.806
U.S.A	Birmingham	9.813	Canada	Vancouver,BC	9.809
U.S.A	Chicago	9.803	Cuba	Havana	9.788

- It should be handled by person in our company or dealers if want to adjust acceleration of gravity



Rongta Technology (Xiamen) Group Co., Ltd.

ADD: No. 889 Xinmin Avenue, Tongan District, Xiamen, China

WEB: www.rongtatech.com

TEL: 0086-592-5666129 FAX: 0086-592-5659169

